



# VT Hackney

A company of VT Systems



## **Model CM-1400 25-ft Command Vehicle**

# **Hackney**

Sourcewell   
Formerly NJPA

**Awarded Contract**

Contract # 022818-VTH

CM-1400

Hackney Emergency Vehicles

NJPA - HACKNEY CM1400 - COMMAND

Sales Rep:

Terms:

Drawing #:

Est. Delivery Date: / /

Customer PO #:

Penalty:

Customer #:

QPF #:

Exp. Date: 03/11/2018

Quote No: 10037-0001

BODY: XCM1400

NJPA CM1400 COMMAND-COMMS - 14-FT

08/17/2018

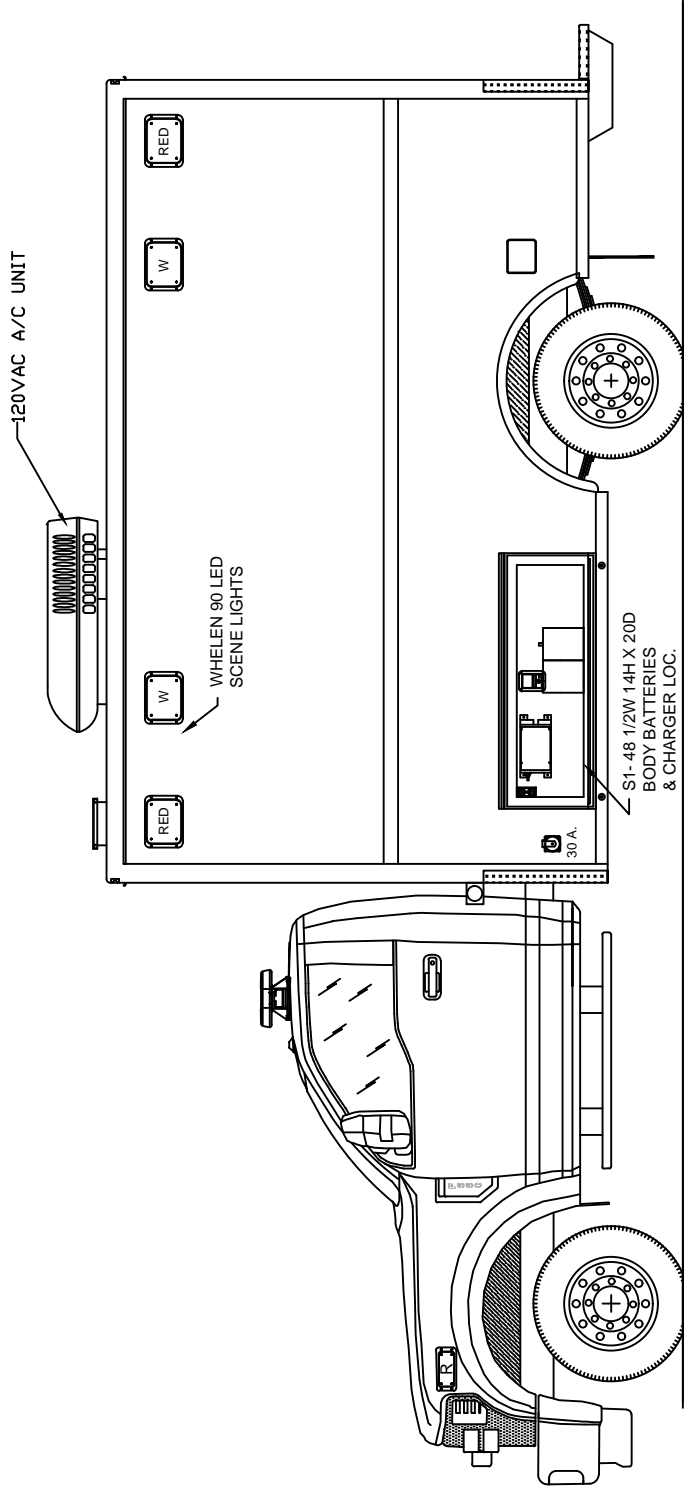
Page 1

PART NO	DESCRIPTION	QTY
== NJPA CM1400 COMMAND-COMMS - 14-FT ==		1
CAB and CHASSIS		1
10-04-5210	FORD F-550 - 2-DR/2WD - 108"CA	1
10-19-0000	FLUID LEVEL DATA PLATE - VISIONMUX	1
10-19-1025	"MUST BE SEATED AND BELTED" - WARNING PLATE	1
10-19-1050	"SEATING OCCUPANCY" - WARNING PLATE	1
10-19-1075	"DO NOT WEAR HELMET WHILE SEATED" - WARNING PLATE	1
10-99-2510	EXHAUST PIPE EXTENSION - FORD SUPER-DUTY	1
11-33-0802	GROUND LIGHTS - TECNIQ LED - FRONT CAB DOOR (PR)	1
12-11-1900	ULTRA-LOW SULFUR DIESEL FUEL ONLY LABEL	1
12-11-1950	DEF FLUID LABEL	1
12-57-0021	TIRE PRESSURE MONITORING - REALWHEELS AIRSECURE - 6-WHL	1
BODY and FRAME OPTIONS		1
20-00-3224	MOUNT COMMANDER BODY	1
20-05-1000	BODY CONSTRUCTION - COMMANDER SERIES	1
20-20-1500	BODY - CM1400 COMMANDER CM1400	1
20-49-9000	OVERALL HEIGHT PLATE	1
20-51-0110	ROOF, BRIGHT ALUMINUM TREADPLATE - STD PATTERN	1
20-70-0110	DOOR, SIDE PERSONNEL ENTRANCE - up to 83" H	1
20-70-0150	WINDOW, DOOR - 30"H X 18"W - SLIDING - black painted or clear anodized frame (EA	1
20-70-1010	GENERATOR COMPARTMENT CONSTRUCTION	1
20-70-1620	DOOR, SINGLE HINGED ACCESS - up to 24W x 60H	1
20-71-0120	FRONT BODY PANEL - PAINTED	1
20-71-0210	REAR KICK PANEL - LR MODELS (Optional)	1
20-71-0310	FENDERETTES, BLACK RUBBER (PR)	1
20-71-1291	RUB RAILS, LOWER BODY - C-CHANNEL - up to 15-ft Body	1

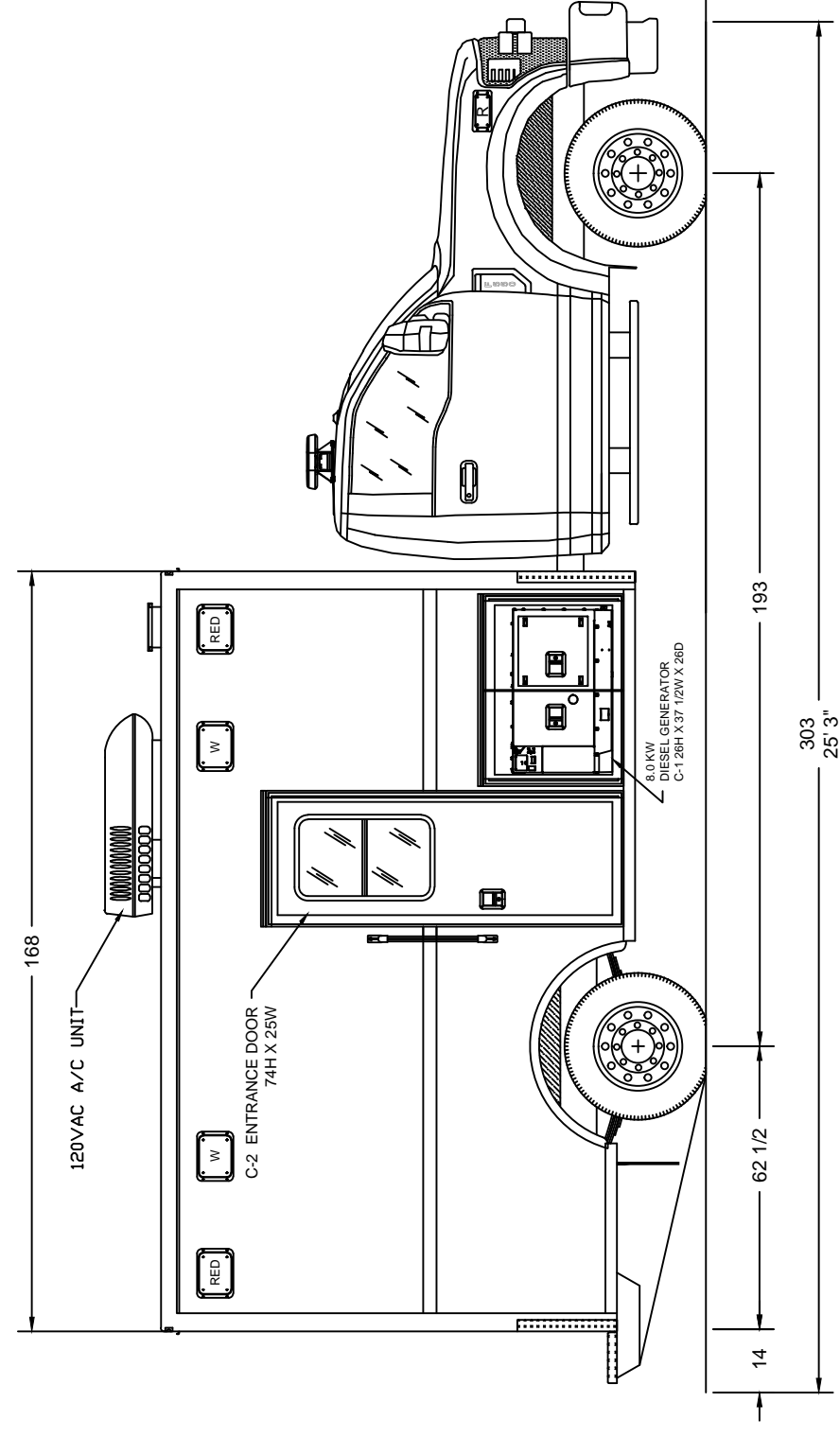
PART NO	DESCRIPTION	QTY
20-71-2600	ROOF ANTENNA MOUNTING RAILS - (2) 58"	1
20-72-2002	FUEL/DEF FILLER W/HINGED ACCESS DOOR - F450/550 only	1
20-72-3000	ULTRA-LOW SULFUR DIESEL FUEL ONLY LABEL	1
20-72-3100	DEF FLUID LABEL	1
21-01-1121	INTERIOR WALLS, CEILING & INSULATION - KEMLITE - 15-ft.	1
21-03-5000	POCKET DOOR & SEPARATOR WALL	1
21-05-1400	CABINET PACKAGE - CM1400	1
21-08-0550	COMMS CONSOLE - 24"	1
21-08-0552	COMMS CONSOLE - 77"	1
21-08-0809	CONFERENCE TABLE - 60"L x 30"W - SOLID SURFACE	1
21-20-0100	CHAIR, SWIVEL LOW BACK TASK (EA)	6
21-30-1014	FLOORING - LONSEAL SAFETY - 14-ft	1
<b>EXTERIOR BODY OPTIONS</b>		<b>1</b>
22-21-0000	STONE GUARDS, FRT & REAR - D/P CORNERS (4)	1
22-25-2000	BUMPER, REAR STEP BRIGHT TREAD PLATE	1
22-50-3005	LICENSE FRAME W/LIGHT-SURFACE MNT-CPI C30004	1
22-51-1000	MUD FLAPS, REAR (PR) BLACK RUBBER	1
<b>EXTERIOR BODY OPTIONS</b>		<b>1</b>
28-51-1036	HANDRAIL - 36" LED LIGHTED - KNURLED SAFETY GRIP (EA)	1
<b>PAINT and GRAPHICS</b>		<b>1</b>
40-00-0110	PAINT COMMANDER RESCUE BODY - ONE COLOR - STD 15-19	1
41-00-0000	DO NOT RE-PAINT CAB	1
42-12-0000	TOUCH UP PAINT - ONE QUART	1
42-90-0500	COMPARTMENT WALLS/FLOORS COATING - MULTISPEC (ea. comp't)	2
42-99-0000	UNDERCOATING CAB, FRAME & BODY	1
43-20-2000	STRIPE, REFLECTIVE 4" PRICE PER FOOT REQS DWG	52
<b>12VDC ELECTRICAL SYSTEM</b>		<b>1</b>
50-00-0410	ELECTRICAL SYSTEM - V-MUX MULTIPLEX	1
50-05-0000	AMP DRAW REPORT - NFPA 1901, Section 9-15	1
50-06-1100	SAFETY INTERLOCK SYSTEM - LIGHT DUTY CHASSIS	1
50-10-0012	CAB CONSOLE - FLOOR MOUNT - FORD F-550 - VISIONMUX/V-MUX	1
50-20-0200	BRACKET- HAVIS-SHIELDS SIREN FOR WHELEN 295-Series	1
50-50-0200	TAIL LIGHT ASSY - LED STOP/TURN/BACKUP with CHROME BEZELS	1
51-10-1725	SCENE LIGHT - SIDE - WHELEN 90 LED OPTI-SCENE (EA)	4
51-10-2515	SCENE LIGHT - REAR - WHELEN 90 LED OPTI-SCENE (EA)	2
51-11-0110	SCENE LIGHT - REAR REVERSE ACTIVATED - VISIONMUX	1
51-11-0170	SCENE LIGHT - SIDE TURN SIGNAL ACTIVATED - V-MUX	1
51-19-0110	GROUND LIGHTS - TECNIQ LED - UNDERBODY MOUNTED (EA)	5
51-19-0130	GROUND LIGHTS ACTIVATED BY TURN SIGNALS /REVERSE	1
51-50-2500	COMPARTMENT LIGHT - 4" LED	2
51-51-7000	STEPWELL LIGHT - LED LINEAR	1
51-55-1001	COMP'T OPEN WARNING & AUTO ACTIVATION - VISIONMUX	1
51-55-2000	COMP'T OPEN WARNING BUZZER	1
51-56-0100	COMP'T OPEN WARNING LIGHT - LED	1
51-65-1200	DOME LIGHT - WHELEN SUPER-LED HI/LOW INTENSITY - 8" CLEAR	8
<b>NFPA 1901 WARNING LIGHTS</b>		<b>1</b>

PART NO	DESCRIPTION	QTY
<b>UPPER ZONE A - FRONT CAB WARNING LIGHTS</b>		<b>1</b>
54-01-1556	WHELEN JUSTICE JE2NFPA - 56" LIGHT BAR - V-END Configuration	1
54-01-9902	BRACKET, LIGHTBAR CAB ROOF MOUNTING -Whelen	1
<b>LOWER ZONE A - FRONT CAB WARNING LIGHTS</b>		<b>1</b>
54-10-07RC	WHELEN C7LRC RED SURFACEMAX - CLEAR LENS W/C7FC CHROMED BEZEL (ea)	2
54-11-N018	LIGHT HOUSING - GRILLE - '17 F-550 - WHELEN 700 SERIES (PR)	1
54-15-5020	HEADLIGHT FLASHERS - LED HIDE-A-WAY	1
<b>LOWER ZONE B/D - CAB INTERSECTION WARNING LIGHTS</b>		<b>1</b>
54-20-05RC	WHELEN 50R02ZCR RED SUPER-LED - CLEAR LENS W/5TSMAC CHROME BEZEL (ea)	2
54-20-PD02	LIGHT HOUSING - INTERSECTION - F-550 - WHELEN 500 SERIES TIR6 (PR)	1
<b>LOWER ZONE B/D - SIDE BODY WARNING LIGHTS</b>		<b>1</b>
<b>LOWER ZONE C - REAR BODY WARNING LIGHTS</b>		<b>1</b>
<b>UPPER ZONE B/D - SIDE BODY WARNING LIGHTS</b>		<b>1</b>
54-30-09RC	WHELEN C9LRC RED SURFACEMAX - CLEAR LENS W/C9FC CHROMED BEZEL (ea)	4
<b>UPPER ZONE C - REAR BODY WARNING LIGHTS</b>		<b>1</b>
54-31-09RC	WHELEN C9LRC RED SURFACEMAX - CLEAR LENS W/C9FC CHROMED BEZEL (ea)	2
<b>AUDIBLE WARNING DEVICES</b>		<b>1</b>
55-22-1000	SIREN - WHELEN ELECTRONIC - 295SLSA1	1
55-41-5001	SPEAKER, SIREN - F-550 - CPI THRU-THE-BUMPER (DRIVER - 2017)	1
58-50-1000	12VDC POWER STRIP - (6) TERMINALS - CAB	1
58-51-0302	USB DUAL CHARGER PORT	1
58-80-1000	BACK-UP ALARM - FEDERAL 210333	1
58-90-0000	CARBON MONOXIDE MONITOR	1
59-59-0000	ANTENNA COAXIAL W/CONNECTOR - MOTOROLA 17'	1
<b>120/240VAC ELECTRICAL SYSTEM</b>		<b>1</b>
61-00-1208	GENERATOR- POWER TECH 8.0KW DIESEL	1
61-60-1500	POWER DISTRIBUTION PANEL - 2- POLE w/TRANSFER SWITCH	1
62-20-3000	SHOREPOWER INLET, 30 AMP W/COVER & FEMALE PL	1
62-30-7150	DROP CORD - 50AMP w/CONNECTORS - 50-ft	1
62-80-0300	BATTERY SYSTEM - SEPARATE BODY	1
63-10-1000	OUTLET 120V DUPLEX INTERIOR W/GFI, 20A (EA)	8
63-10-3500	OUTLET STRIP - PLUG MOLDING - up to 6' Section	1
63-10-3600	POWER COMMUNICATIONS FLIP-UP PANEL	1
68-00-1010	AIR CONDITIONER, 120V ROOF MOUNTED RV TYPE	1
68-10-1000	HEATER, 1500W 120V - FLUSH WALL MOUNT (EA)	2
89-99-9600	DOT SAFETY KIT	1

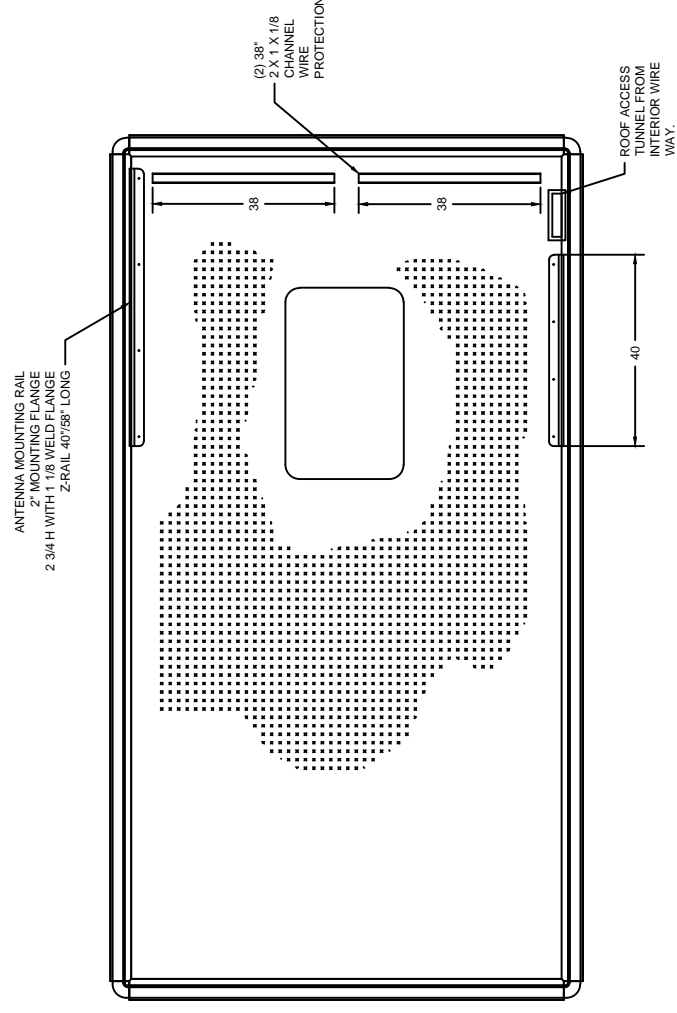




STREETSIDE (LEFT)

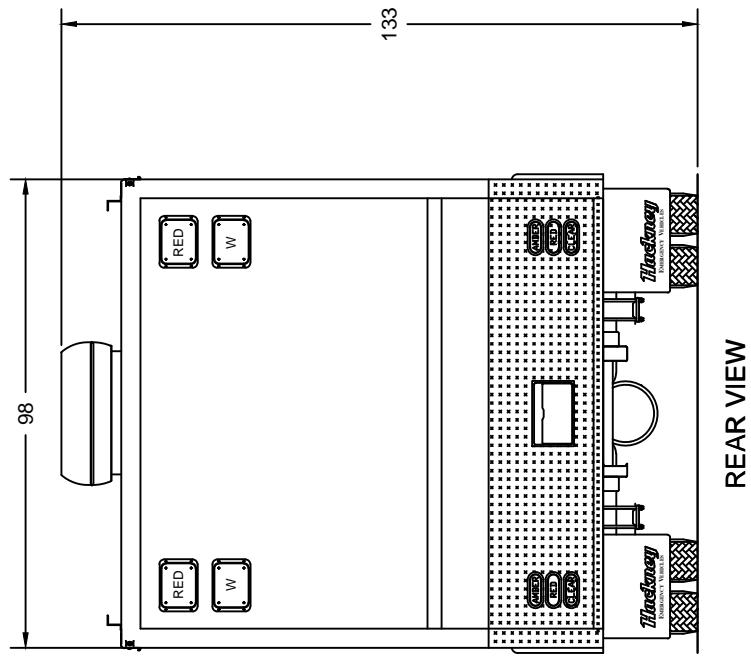


CURBSIDE (RIGHT)



ROOF LAYOUT

\*\*\*ORIGINAL\*\*\*



THIS PRINT AND ALL RIGHTS TO THE DESIGN AND DETAIL THEREON ARE THE PROPERTY OF VT HACKNEY AND IS LOANED TO THE RECIPIENT SUBJECT TO RETURN UPON DEMAND. ITS CONTENTS ARE CONFIDENTIAL AND MUST NOT BE COPIED OR SUBMITTED TO OUTSIDE PARTIES FOR USE OR EXAMINATION. COPYRIGHT 2015 VT HACKNEY A COMPANY OF VT SYSTEMS

**VT Hackney**  
A company of VT Systems  
WASHINGTON, NC 27889-0880

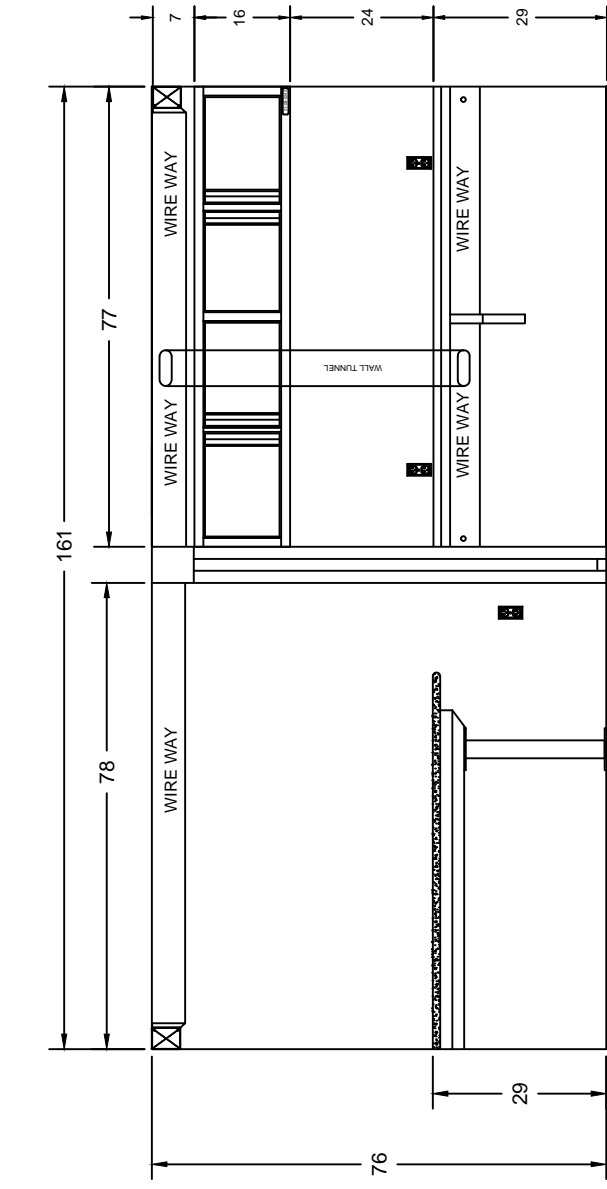


DRAWN BY: EES DATE: 02/01/18  
SHEET: 1 OF 2  
CUSTOM DESIGN FOR: NJPA  
MODEL: CM-1400  
SCALE: 40  
DRAWING NO. CONTRACT #

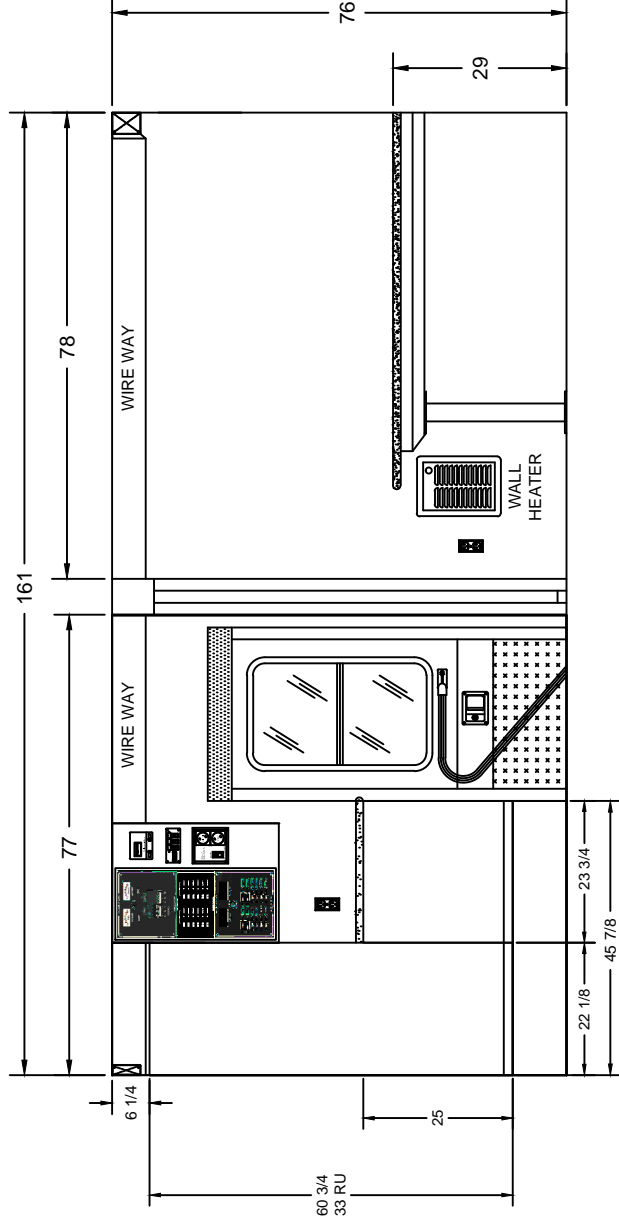
© 2015 VT HACKNEY INC  
NOTE: ESTIMATED DIMENSIONS.  
MEASUREMENTS DEPEND ON CHASSIS,  
TIRES, SPRINGS, AND LOADING.

REV. A

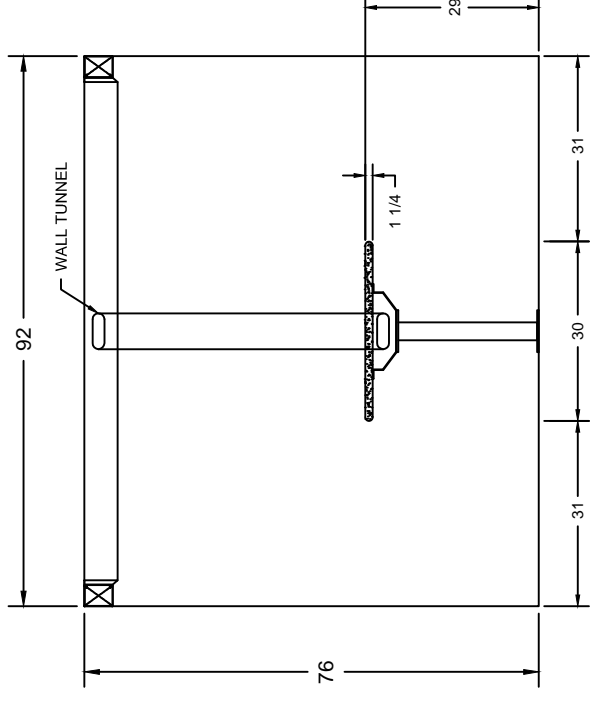
\*\*\*ORIGINAL\*\*\*



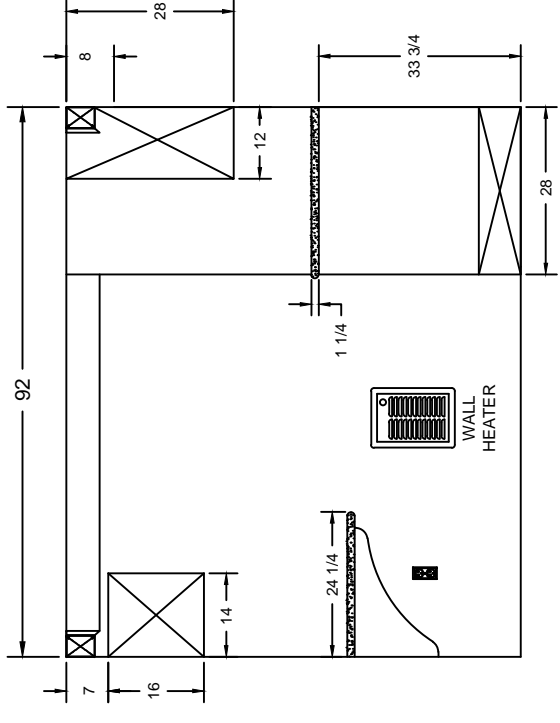
STREETSIDE INTERIOR



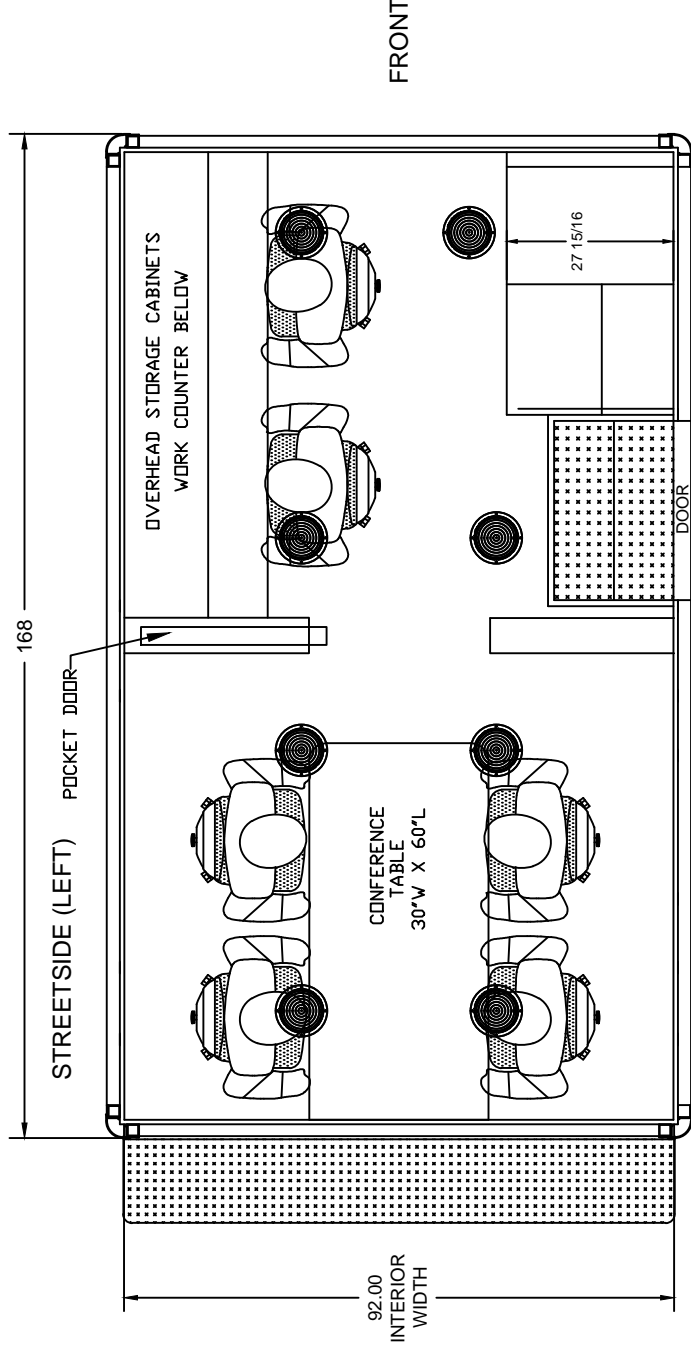
CURBSIDE INTERIOR



REAR INTERIOR WALL



FRONT INTERIOR WALL



CURBSIDE (RIGHT)

THIS PRINT AND ALL RIGHTS TO THE DESIGN AND DETAIL THEREON ARE THE PROPERTY OF VT HACKNEY AND IS LOANED TO THE RECIPIENT SUBJECT TO RETURN UPON DEMAND. ITS CONTENTS ARE CONFIDENTIAL AND MUST NOT BE COPIED OR SUBMITTED TO OUTSIDE PARTIES FOR USE OR EXAMINATION. COPYRIGHT 2015 VT HACKNEY A COMPANY OF VT SYSTEMS

**VT Hackney**  
A company of VT Systems  
WASHINGTON, NC 27889-0880



CUSTOM DESIGN FOR:

NJPA

CONTRACT #

DRAWN BY

EES

DATE

02/01/18

SHEET

2 OF 2

MODEL:

CM-1400

SCALE

32

DRAWING NO.

A

© 2015 VT HACKNEY INC

NOTE: ESTIMATED DIMENSIONS.  
MEASUREMENTS DEPEND ON CHASSIS,  
TIRES, SPRINGS, AND LOADING.