



VT Hackney

A company of VT Systems



Model DFC1164R-24 Heavy Rescue

Hackney



Contract # 022818-VTH

DFC-1164R-24

Hackney Emergency Vehicles

NJPA - HACKNEY DFC1164R-24 HEAVY RESCUE

Sales Rep:

Terms:

Drawing #:

Est. Delivery Date: / /

Customer PO #:

Penalty:

Customer #:

QPF #:

Exp. Date: 02/16/2018

Quote No: 10172-0003

BODY: XDFC300 NJPA DFC1164R-24 HEAVY RESCUE

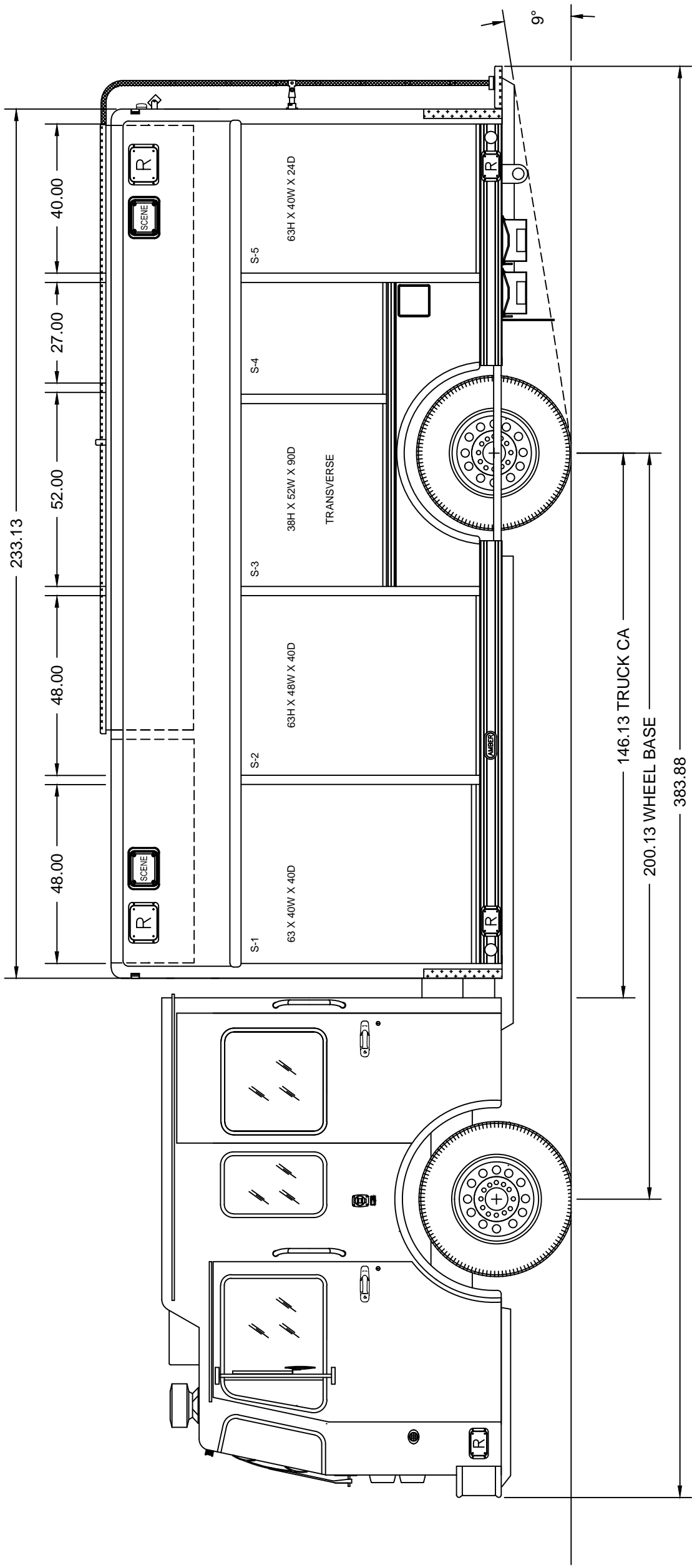
08/17/2018

Page 1

PART NO	DESCRIPTION	QTY
== NJPA DFC1164R-24 HEAVY RESCUE - ==		1
== QW RELEASE - Effective 01-02-18 ==		1
CAB and CHASSIS		1
10-01-0010	SPARTAN CHASSIS - MFD WITH 10" RAISED ROOF	1
10-19-0100	FLUID LEVEL DATA - ELECTRONIC DISPLAY	1
10-19-1045	WARNING PLATE - VEHICLE SPECIFICATION DATA	1
10-19-1050	"SEATING OCCUPANCY" - WARNING PLATE	1
10-99-0020	EXHAUST PIPE LOCATION - FORWARD OF RIGHT WHEELS	1
11-16-0220	BATTERY CONDITIONER - PROGRESSIVE DYNAMICS	1
11-17-0020	SHOREPOWER INLET, 20 AMP W/COVER & FEMALE PLU	1
12-00-1010	MUD FLAPS - RE-INSTALL CHASSIS OEM	1
16-10-1510	TOW EYE PLATES - REAR - BLACK (PR)	1
BODY and FRAME OPTIONS		1
20-00-1000	FRAME MODIFICATION - DROP/PINCH	1
20-02-0000	BODY CONSTRUCTION - HEAVY RESCUE	1
20-11-4822	BODY - DFC1164R24 - 11 COMP'T W/ 24" RECESSED COMP'TS	1
20-49-9000	OVERALL HEIGHT PLATE	1
20-61-0200	ROLLERS, STAINLESS STEEL ROLL-UP DOOR - ILOS - (Ea. Comp't Door)	11
20-71-0020	WHEELHOUSING SKIRT PANEL - PAINTED	1
20-71-0320	FENDERETTES, STAINLESS STEEL (PR)	1
20-72-2050	FUEL FILLER W/HINGED ACCESS DOOR - CPI - CUSTOM CAB	1
20-72-3000	ULTRA-LOW SULFUR DIESEL FUEL ONLY LABEL	1
20-72-3100	DEF FLUID LABEL	1

PART NO	DESCRIPTION	QTY
EXTERIOR BODY OPTIONS		1
22-21-0000	STONE GUARDS, FRT & REAR - D/P CORNERS (4)	1
22-21-0025	STEP GUARD - RECESSED ROOF ENTRANCE	1
22-25-2000	BUMPER, REAR STEP BRIGHT TREAD PLATE	1
22-25-5500	SIGN - "DANGER - DO NOT RIDE ON REAR STEP"	1
22-33-1000	STEP, REAR WHEEL ALUMINUM STEP (PR)	1
22-40-0090	WHEEL CHOCK - ZICO COLLAPSIBLE TYPE (EA)	2
22-40-2000	WHEEL CHOCK - ZICO AC-44 (EA)	2
22-50-3010	LICENSE PLATE INSERTS & LIGHT	1
22-51-1000	MUD FLAPS, REAR (PR) BLACK RUBBER	1
INTERIOR BODY OPTIONS		1
23-11-0550	RECESSED ADJUSTABLE SHELF TRACK (EA)	11
EXTERIOR BODY OPTIONS		1
26-00-0010	LADDER, ROOF ACCESS - OSHA TYPE - BODY	1
26-00-0040	LABEL - "CAUTION - ROOF NOT WALKING-WORKING SURFACE"	1
PAINT and GRAPHICS		1
40-00-0012	PAINT BODY - HEAVY RESCUE - ONE COLOR	1
41-00-0000	DO NOT RE-PAINT CAB	1
42-12-0000	TOUCH UP PAINT - ONE QUART	1
42-90-0500	COMPARTMENT WALLS/FLOORS COATING - MULTISPEC (ea. comp't)	11
42-99-0000	UNDERCOATING CAB, FRAME & BODY	1
43-20-2000	STRIPE, REFLECTIVE 4" PRICE PER FOOT REQS DWG	70
43-20-8002	CHEVRON STRIPE - REAR BODY - PRINTED - Body only - not on door	1
43-20-8120	REFLECTIVE STRIPING ACROSS FACE OF BUMPER	1
12VDC ELECTRICAL SYSTEM		1
50-00-0510	ELECTRICAL SYSTEM - V-MUX MULTIPLEX - SPARTAN	1
50-03-0001	TEMPERATURE SENSOR & READ-OUT - EXTERNAL	1
50-03-0002	TEMPERATURE SENSOR & READ-OUT - INTERIOR	1
50-05-0000	AMP DRAW REPORT - NFPA 1901, Section 9-15	1
50-06-1110	SAFETY INTERLOCK SYSTEM - MED/HD CHASSIS	1
50-20-0200	BRACKET- HAVIS-SHIELDS SIREN FOR WHELEN 295-Series	1
50-40-0110	CLEARANCE LIGHTS, LED & REFLECTORS W/CENTER REAR THIRD BRAKE	1
50-50-0200	TAIL LIGHT ASSY - LED STOP/TURN/BACKUP with CHROME BEZELS	1
50-50-6010	JAKE BRAKE LIGHT ACTIVATION - SPARTAN	1
50-51-9000	AUXILIARY LED TURN SIGNALS - AMBER, CENTER BODY	1
51-10-1810	SCENE LIGHT - SIDE - WHELEN M9 LED OPTI-SCENE (EA)	4
51-10-2850	SCENE LIGHT - REAR - WHELEN M9 LED OPTI-SCENE (EA)	2
51-11-0100	SCENE LIGHT - REAR REVERSE ACTIVATED - V-MUX	1
51-11-0150	SCENE LIGHT - SIDE REVERSE ACTIVATED - V-MUX	1
51-19-0110	GROUND LIGHTS - TECNIQ LED - UNDERBODY MOUNTED (EA)	5
51-19-0130	GROUND LIGHTS ACTIVATED BY TURN SIGNALS /REVERSE	1
51-50-1810	COMPARTMENT LIGHTS - LED STRIP - 24" RECESSED	4
51-50-1850	COMPARTMENT LIGHTS - LED STRIP - 42" RECESSED	7
51-55-1000	COMP'T OPEN WARNING & AUTO ACTIVATION - V-MUX	1

PART NO	DESCRIPTION	QTY
NFPA 1901 WARNING LIGHTS		1
UPPER ZONE A - FRONT CAB WARNING LIGHTS		1
54-01-1800	NO LIGHT BAR-SUPPLIED WITH CAB AND CHASSIS	1
LOWER ZONE A - FRONT CAB WARNING LIGHTS		1
54-11-RDQ1	NO FRONT WARNING LIGHTS - PROVIDED WITH CAB	1
LOWER ZONE B/D - CAB INTERSECTION WARNING LIGHTS		1
54-20-RDQ2	NO CAB INTERSECTION LIGHTS - SUPPLIED WITH CAB	1
LOWER ZONE B/D - SIDE BODY WARNING LIGHTS		1
54-21-06RC	WHELEN C6LRC RED SURFACEMAX - CLEAR LENS W/C6FC CHROMED BEZEL (ea)	4
LOWER ZONE C - REAR BODY WARNING LIGHTS		1
54-25-06RC	WHELEN C6LRC RED SURFACEMAX - CLEAR LENS W/C6FC CHROMED BEZEL (ea)	2
UPPER ZONE B/D - SIDE BODY WARNING LIGHTS		1
54-30-09RC	WHELEN C9LRC RED SURFACEMAX - CLEAR LENS W/C9FC CHROMED BEZEL (ea)	4
UPPER ZONE C - REAR BODY WARNING LIGHTS		1
54-31-09RC	WHELEN C9LRC RED SURFACEMAX - CLEAR LENS W/C9FC CHROMED BEZEL (ea)	2
AUDIBLE WARNING DEVICES		1
58-82-0010	REARVIEW COLOR CAMERA WITH NIGHTVISION - V-Mux	1
120/240VAC ELECTRICAL SYSTEM		1
AIR SYSTEMS		1
89-99-9600	DOT SAFETY KIT	1
ADMINISTRATIVE - FIXED		1
98-01-1000	MANUAL, HACKNEY OWNERS W/SCHEMATICS	1
98-10-1000	DELIVERY - SPARTAN TO HACKNEY	1
98-10-1500	PRE-DELIVERY CLEAN-UP - CAB & BODY	1
98-11-1000	FUEL TANK FULL AT FACTORY DELIVERY (up to 50-gallon tank)	1
99-99-9998	TEST DRIVE & INSURANCE REQUIREMENTS	1
99-99-9999	SHOP ORDER APPROVAL	1



STREETSIDE EXTERIOR

THIS PRINT AND ALL RIGHTS TO THE DESIGN AND DETAIL THEREON ARE THE PROPERTY OF VT HACKNEY AND IS LOANED TO THE RECIPIENT SUBJECT TO RETURN UPON DEMAND. ITS CONTENTS ARE CONFIDENTIAL AND MUST NOT BE COPIED OR SUBMITTED TO OUTSIDE PARTIES FOR USE OR EXAMINATION. COPYRIGHT 2015 VT HACKNEY A COMPANY OF VT SYSTEMS

© 2015 VT HACKNEY INC
 NOTE: ESTIMATED DIMENSIONS.
 MEASUREMENTS DEPEND ON CHASSIS,
 TIRES, SPRINGS, AND LOADING.

VT Hackney
 A company of VT Systems
 WASHINGTON, NC 27889-0880

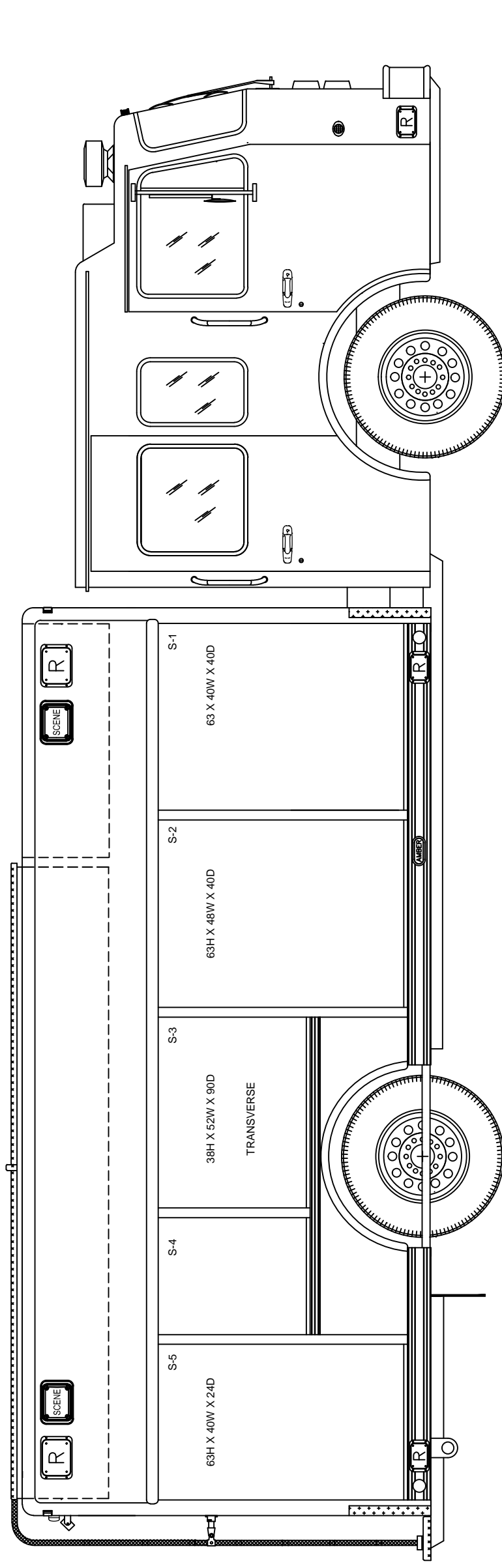


CUSTOM DESIGN FOR:
 NJPA
 CONTRACT #

DRAWN BY: EES
 DATE: 02/01/18
 SHEET: 2 OF 4
 MODEL: DFC1164R

SCALE: 32

REV: -



CURBSIDE EXTERIOR

THIS PRINT AND ALL RIGHTS TO THE DESIGN AND DETAIL THEREON ARE THE PROPERTY OF VT HACKNEY AND IS LOANED TO THE RECIPIENT SUBJECT TO RETURN UPON DEMAND. ITS CONTENTS ARE CONFIDENTIAL AND MUST NOT BE COPIED OR SUBMITTED TO OUTSIDE PARTIES FOR USE OR EXAMINATION. COPYRIGHT 2015 VT HACKNEY A COMPANY OF VT SYSTEMS

© 2015 VT HACKNEY INC
 NOTE: ESTIMATED DIMENSIONS.
 MEASUREMENTS DEPEND ON CHASSIS,
 TIRES, SPRINGS, AND LOADING.



A company of VT Systems
 WASHINGTON, NC 27889-0880



CUSTOM DESIGN FOR:

NJPA

CONTRACT #

DATE

02/01/17

DRAWN BY

EES

SHEET

1 OF 4

MODEL:

DFC1164R

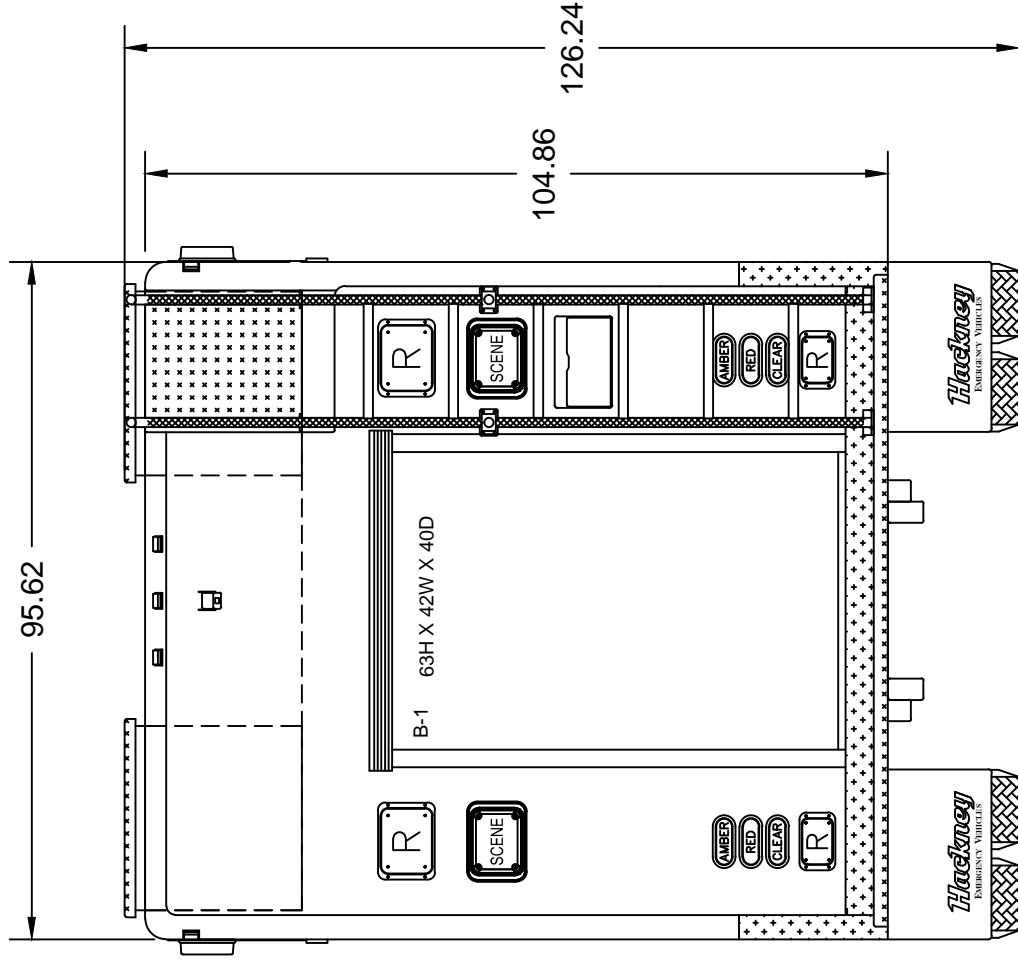
SCALE

32

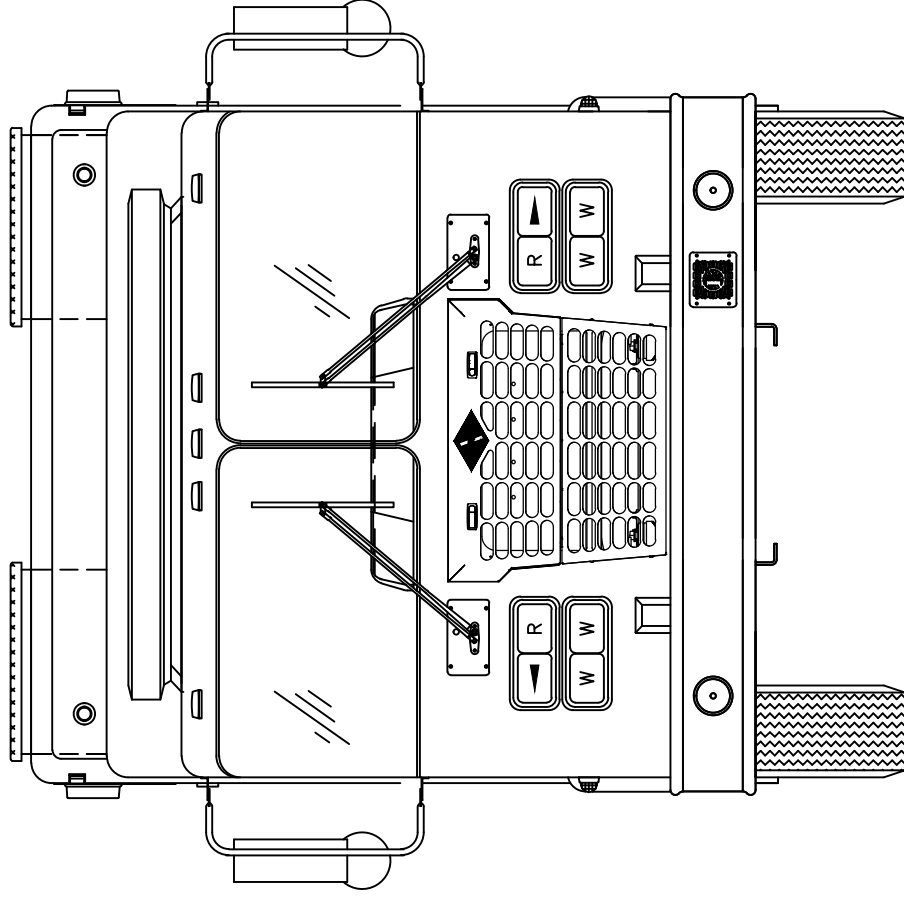
DRAWING NO.

REV.

-



REAR VIEW



FRONT VIEW

THIS PRINT AND ALL RIGHTS TO THE DESIGN AND DETAIL THEREON ARE THE PROPERTY OF VT HACKNEY AND IS LOANED TO THE RECIPIENT SUBJECT TO RETURN UPON DEMAND. ITS CONTENTS ARE CONFIDENTIAL AND MUST NOT BE COPIED OR SUBMITTED TO OUTSIDE PARTIES FOR USE OR EXAMINATION. COPYRIGHT 2015 VT HACKNEY A COMPANY OF VT SYSTEMS

© 2015 VT HACKNEY INC
 NOTE: ESTIMATED DIMENSIONS.
 MEASUREMENTS DEPEND ON CHASSIS,
 TIRES, SPRINGS, AND LOADING.



A company of VT Systems
 WASHINGTON, NC 27889-0880



CUSTOM DESIGN FOR:

NJPA

CONTRACT #

DRAWN BY

EES

DATE

02/01/18

SHEET

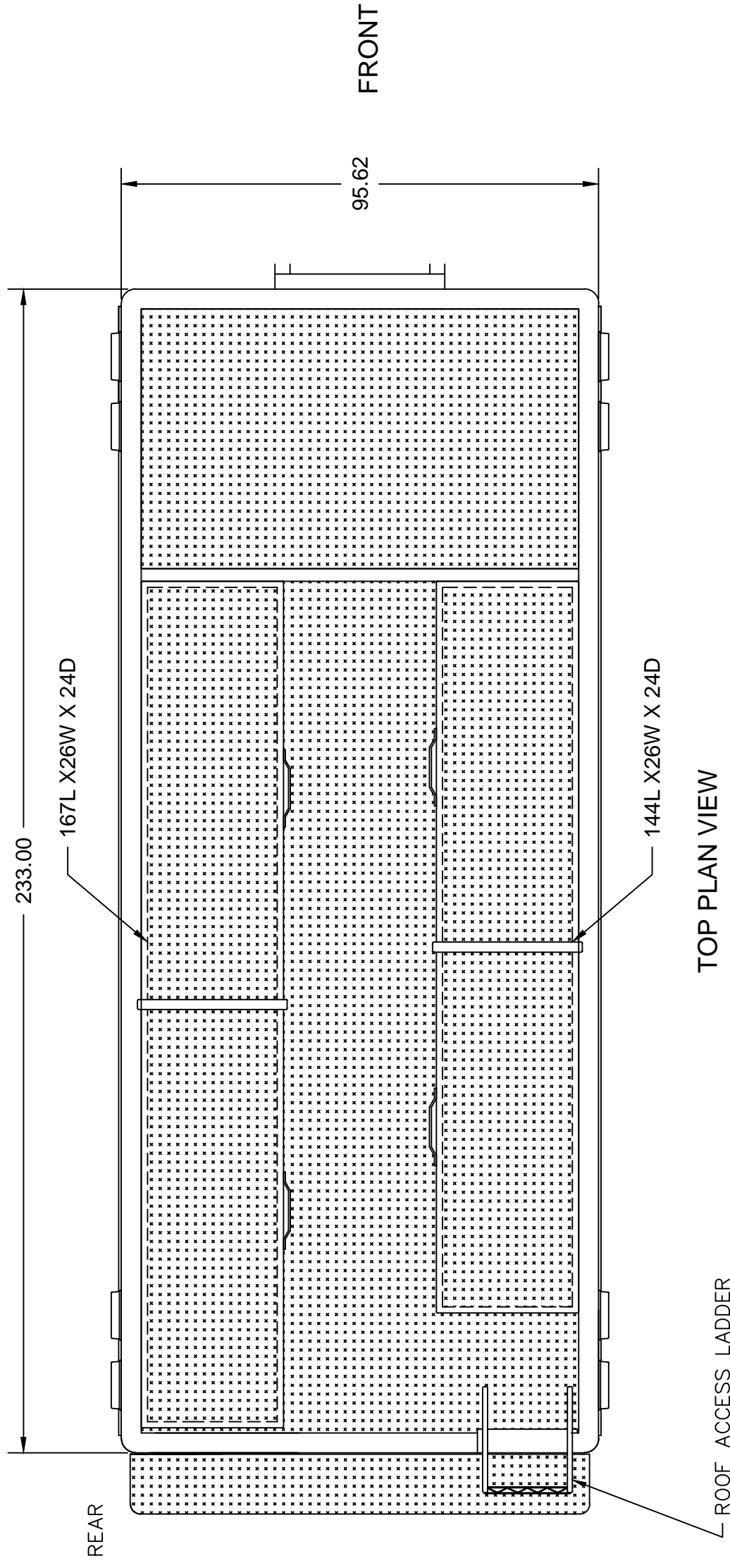
3 OF 4

SCALE

MODEL: DFC-1164-24

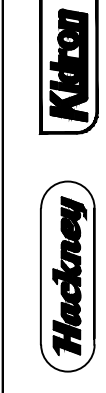
DRAWING NO. 27

REV. -



THIS PRINT AND ALL RIGHTS TO THE DESIGN AND DETAIL THEREON ARE THE PROPERTY OF VT HACKNEY AND IS LOANED TO THE RECIPIENT SUBJECT TO RETURN UPON DEMAND. ITS CONTENTS ARE CONFIDENTIAL AND MUST NOT BE COPIED OR SUBMITTED TO OUTSIDE PARTIES FOR USE OR EXAMINATION. COPYRIGHT 2015 VT HACKNEY A COMPANY OF VT SYSTEMS

VT Hackney
A company of VT Systems
WASHINGTON, NC 27889-0880



DRAWN BY: EES DATE: 02/01/18

SHEET: 4 OF 4

MODEL: DFC-1164-24

CUSTOM DESIGN FOR: NJPA

CONTRACT #

SCALE: 27

REV. -

© 2015 VT HACKNEY INC

NOTE: ESTIMATED DIMENSIONS.
MEASUREMENTS DEPEND ON CHASSIS,
TIRES, SPRINGS, AND LOADING.